

Carnegie, Flush Mount, 8", Matte Blac...

Item No.

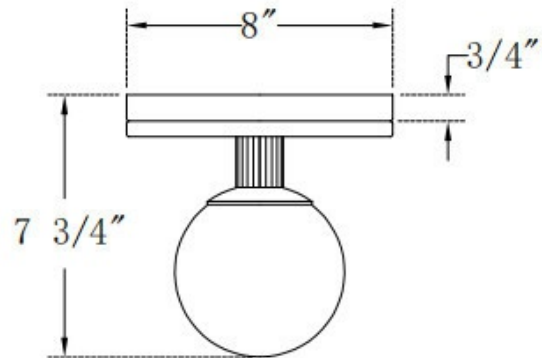
50187-027

JOB NAME:

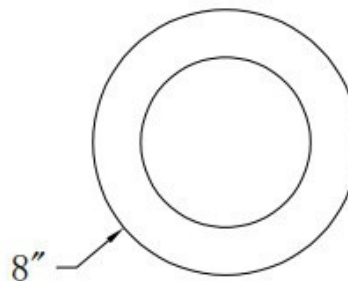
DATE:

TYPE:

COMMENTS:



Front View



Bottom View

LIGHT INFORMATION

Light Type Integrated LED

Bulb Socket N/A

Bulb Shape N/A

Bulb Included N/A

CRI 90

Delivered 309

LIGHT INFORMATION (CONT'D.)

Light Wattage 8

Total Wattage 8

DIMENSIONS & WEIGHT

PRODUCT FINISH

Finish: Matte Black

SHADE FINISH

Shade Finish: Diffus

Certification & Compliance

PRODUCT FEATURES



Lumens	
Colour Temperature (Kelvin)	3000K
Average Hours LED (L70)	52000
Number of Lights	1
Light Direction	Ambient
Dimming Method	Triac/Elv

Product Width (In)	
Product Height (In)	7.75
Product Ext (In)	
Product Diameter (In)	8
Product Weight (Lbs)	4.4
Product Length (In)	

INSTALLATION