

Serin, Mirror , 30" X 36", Gold-Black Mix

Item No.

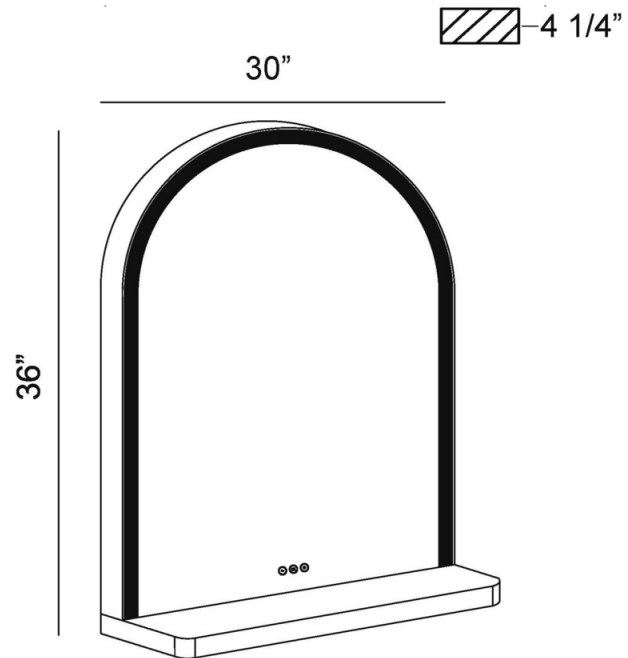
48519-014

JOB NAME:

DATE:

TYPE:

COMMENTS:



PRODUCT FEATURES

Feature 1: High quality, lead free, copper free corrosion resistant glass.

Feature 2: Durable, damp-rated construction for the frame, parts, and hardware.

Feature 3: Meets Title 24 requirements.

Feature 4: Safety added

DIMENSIONS & WEIGHT

Product Width (In) 30

Product Height (In) 36

Product Ext (In) 4.5

Product

PRODUCT FINISH

Finish: Gold-Black Mix

INSTALLATION

Mounting Type J-Box

Mounting Location Rating Damp

Shatter proof adhesive backing mirror panes.

Feature 5: High-efficiency LED chips produce maximum lumens while using minimal power.

Feature 6: 90+ Color Rendering Index.

Feature 7: Convenient and safe wall mounting bracket design.

Feature 8: The memory function allows the mirror to return to its last used setting when it is turned on or off

Diameter (In)

Product Weight (Lbs) 24.33

LIGHT INFORMATION

Light Direction Ambient

Dimming Method Touch Switch

Input Voltage 120

CRI 90
