

Carnegie, Flush Mount, 12", Matte Bla...

Item No.

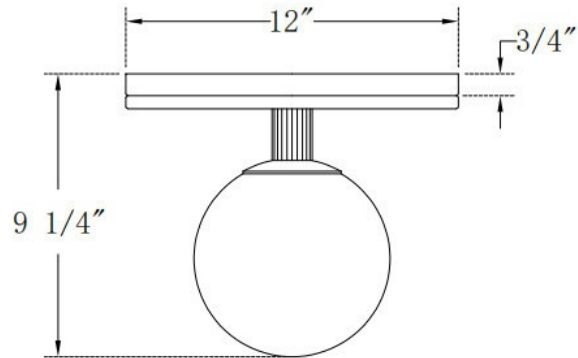
50186-020

JOB NAME:

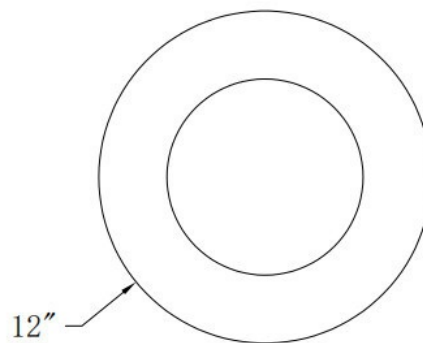
DATE:

TYPE:

COMMENTS:



Front View



Bottom View

LIGHT INFORMATION

Light Type Integrated LED

Bulb Socket N/A

Bulb Shape N/A

Bulb Included N/A

CRI 90

Delivered 659

LIGHT INFORMATION (CONT'D.)

Light Wattage 16

Total Wattage 16

DIMENSIONS & WEIGHT

PRODUCT FINISH

Finish: Matte Black

SHADE FINISH

Shade Finish: Diffus

Certification & Compliance



PRODUCT FEATURES

Lumens	
Colour Temperature (Kelvin)	3000K
Average Hours LED (L70)	52000
Number of Lights	1
Light Direction	Ambient
Dimming Method	Triac/Elv

Product Width (In)	
Product Height (In)	9.13
Product Ext (In)	
Product Diameter (In)	12
Product Weight (Lbs)	7
Product Length (In)	

INSTALLATION