

Noga, Wall Sconce , 11", Gold, Alabaster

Item No.

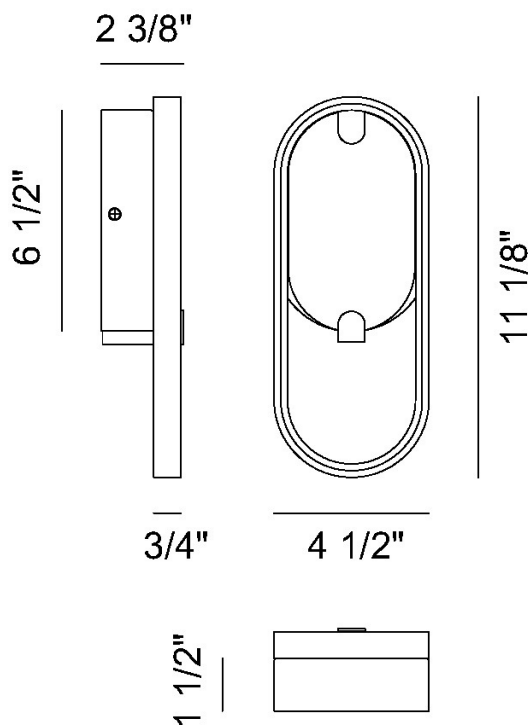
48954-013

JOB NAME:

DATE:

TYPE:

COMMENTS:



LIGHT INFORMATION

Light Type Integrated LED

Bulb Socket N/A

Bulb Shape N/A

Bulb Included Yes

CRI 90

Delivered 224

LIGHT INFORMATION (CONT'D.)

Light 8
Wattage

Total Wattage 8

DIMENSIONS & WEIGHT

PRODUCT FINISH

Finish: Gold

SHADE FINISH

Shade Finish: Alabaster

 Certification & Compliance

PRODUCT FEATURES

Feature 1:

Feature 2:

Lumens	
Colour Temperature (Kelvin)	3000K
Average Hours LED (L70)	52000
Number of Lights	1
Light Direction	Ambient
Dimming Method	Triac/Elv

Product Width (In)	4.13
Product Height (In)	11.25
Product Ext (In)	2.25
Product Diameter (In)	
Product Weight (Lbs)	2.25
Product Length (In)	

Feature 2:
Feature 3:

INSTALLATION